

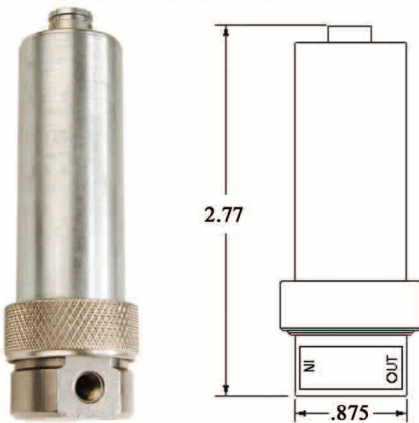


# Kelly Pneumatics, Inc.

## High Flow Miniature Proportional Valve

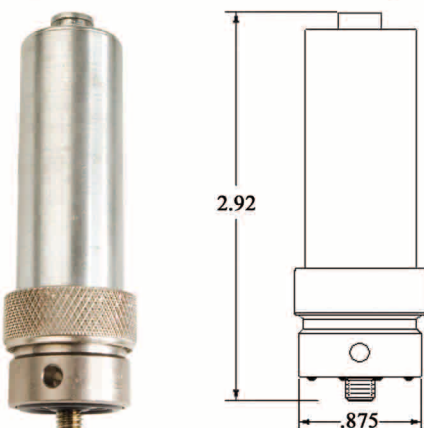
Kelly Pneumatics, Inc. offers a high volume flow Midsize Proportional Valve utilizing award winning design. This non-spool valve architecture employing one moving part ensures virtually frictionless performance and longevity tested at over 100 million cycles. We also offer alternate versions that are resistant to both high and low temperatures, therefore performing consistently in many different environments. Available in both Inline and Manifold Mount versions, this valve can efficiently process Water, Air, Oil, and Hydrogen.

### Inline Mount Version



**Valve Type:** 2-Way  
**Medium:** Air, other Gases and Liquids  
**Temperature Range:** 32° - 120° F (0° - 50° C)  
**Maximum Hysteresis:** 10% of full current  
**Response Time:** 10 - 15 ms  
**Power Consumption:** 4.8 watts at 23°C, 5.3 watts max  
**Voltage Range:** 5, 10, or 20 volts  
**Working Pressure:** 25, 50, or 100 psig  
**Orifice Size:** .04, .06, .09, .125, or .156 inches  
**Flow Range:** 0-2900 milliliters water per minute  
0-100 slpm for air  
**Mounting:** Base Mount or Manifold Mount  
**Ports:** 1/4 or 1/8 inch FPT  
**Seal Material:** Buna-N, Viton, or EPDM

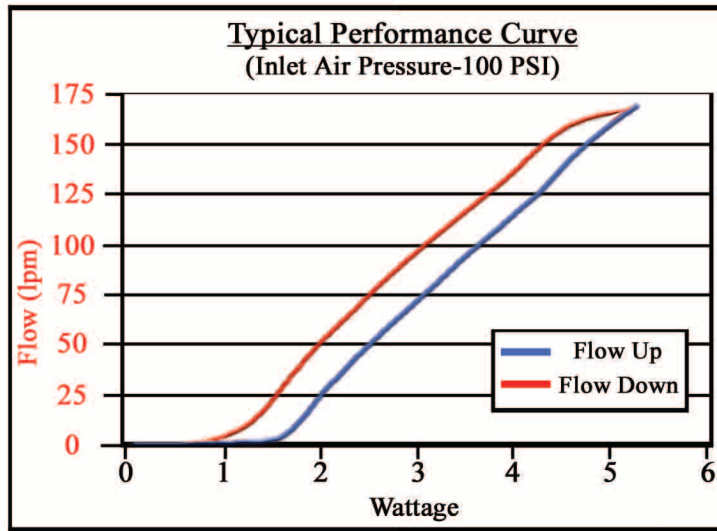
### Manifold Mount Version



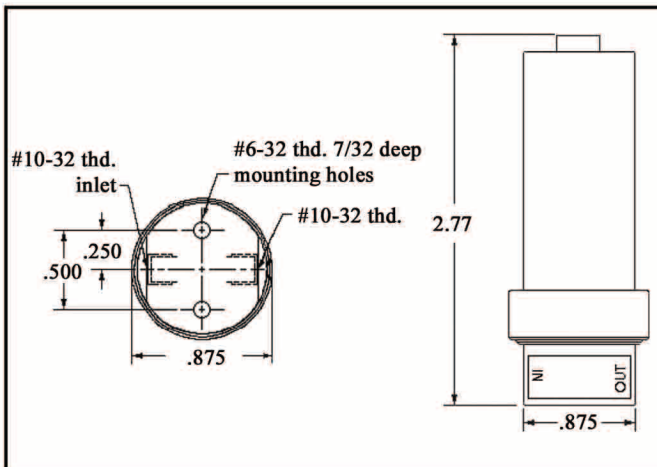
All Dimensions are in Inches

# Kelly Pneumatics, Inc.

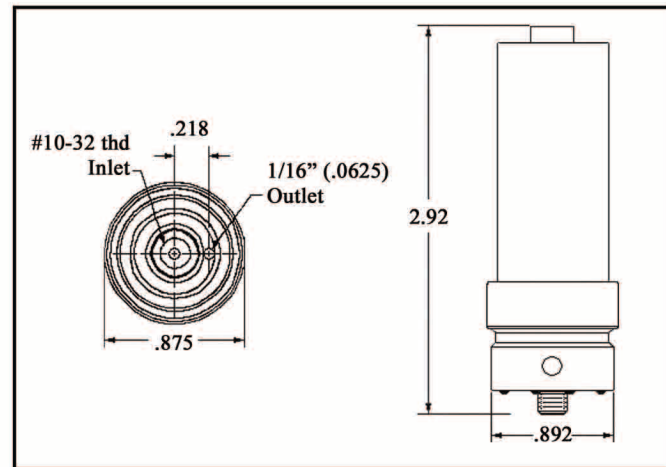
## High Flow Miniature Proportional Valve



### Inline Mount Dimensions



### Manifold Mount Dimensions



All Dimensions are in Inches

### Numbering System

